

# CS-1200

HEAD SHELL

# Phasemation Owner's Manual

C120-1206-01

Thank you for purchasing this Phasemation product.

Please read the following instructions carefully to follow the proper use of CS-1200 before setting it up in order to enjoy this product for many years. .

## ●Installation Notes (For installation, please follow the instruction manual of the cartridge and arm and pay attention to the following items.)

1. Connect the lead wires and the cartridge terminals with the left and right polarities matched.
2. Fix the cartridge to the shell matching the overhang position that is specified for the pickup arm. When tightening the screws, be careful not to upset the left-right balance of the cartridge mounting position.
3. Install the shell on the pickup arm with caution so that it does not tilt to the left or right. (Since the sound quality was prioritized when this was designed, the rubber ring of the terminal is not included.)
4. Do not touch the terminals or connectors where lead wires are inserted directly with bare hands. Doing so may cause corrosion or poor contacts.
5. Adjust the height and needle pressure of the pickup arm.
6. The included screws are made of steel for the sound quality and strength.  
The included wrench is also made of steel and therefore please be careful not to let it adhere to or damage the magnetic circuit of the cartridge during installation. The included washers are made of resin to make it spin in order to prevent over-tightening.

## ●Specifications

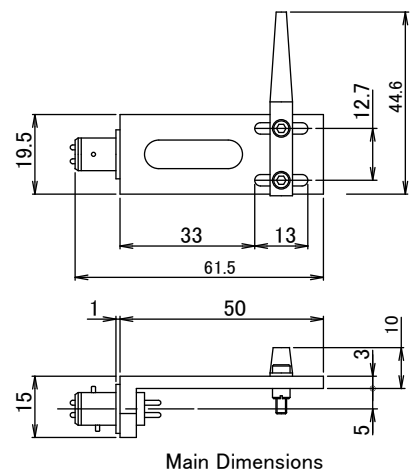
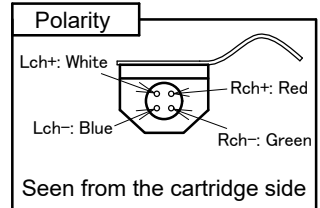
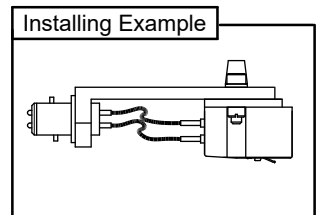
1. Material: Machined Duralumin
2. Treatment: DLC (Diamond Like Carbon)
3. Weight: 13.7g  $\pm$ 0.3  
(including lead wire, hook, attaching screw M2.6x10, nut, washer)
4. Lead Wires: PC-Triple C copper wire  
\*Appearance and specifications are subject to change without notice due to improvements.

## ●Attachments

1. Lead wire : 4 pcs
2. Hook (brass) : 1 pc
3. Hexagonal wrench for screw tightening (steel) : 1 pc
4. Mounting nut (aluminum) : 2 pcs
5. Washer (polyslider) : 4 pcs
6. Mounting screw (steel) : 2 pcs each  
M2.6x6, M2.6x10, M2.6x16

## ●Notice

Although the entire surface of this product is treated with DLC, the back side (cartridge mounting surface) may have a different gloss than the surface.



# Phasemation

Kyodo Denshi Engineering Co., Ltd.  
8-40-17 Shinyoshidahigashi, Kohoku-ku, Yokohama, Kanagawa,  
223-0058 Japan  
TEL 81-45-710-0975  
FAX 81-45-710-0976  
URL <https://phasemation.com>